

The RFXC-400 is an extremely compact and lightweight wideband source, originally developed for counter-UAS/UAV/drone applications in a footprint that could also be UAV/UAS-deployable.

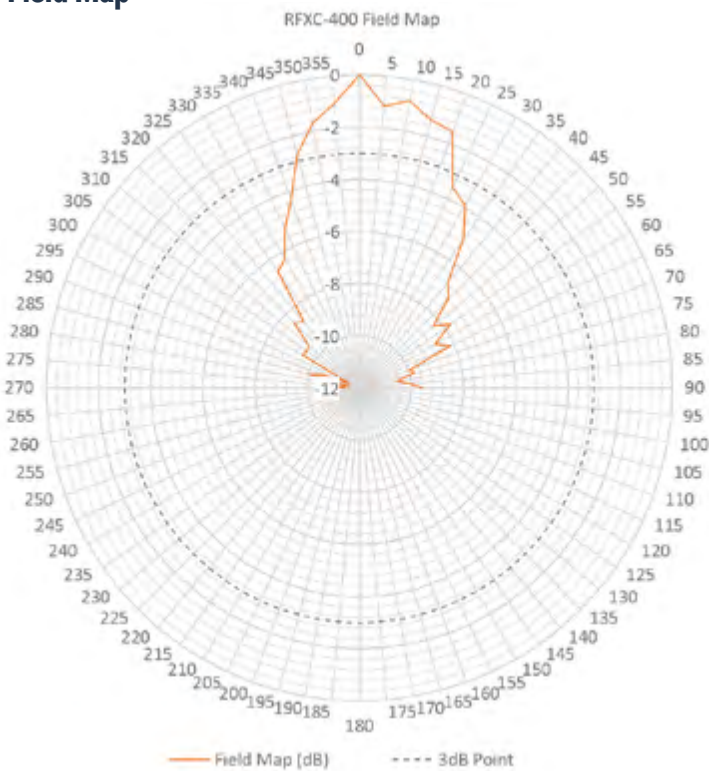
The RFXC-400 can run continuously at a repetition rate of 10 Hz for up to 10 minutes and is powered internally by rechargeable batteries. The integrated reflector on the unit produces a wide beam pattern (~75 degrees) for counter-swarm applications, but also protects the host vehicle from the high electric field.



Example UAV deployment (reflector not shown)



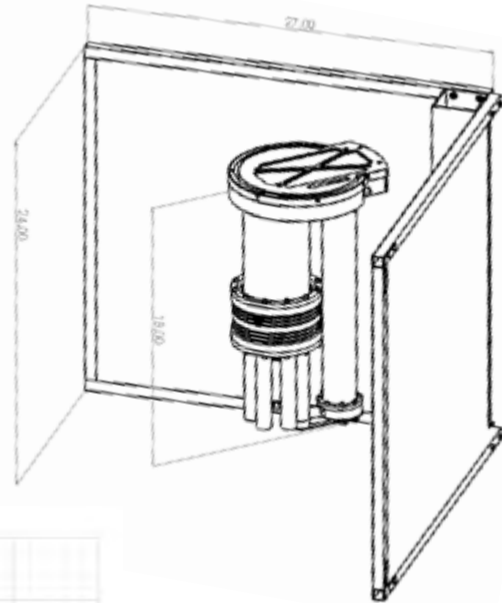
Field Map



Highlights

- E-field: >150 kV/m @ 1 m
- Center frequency: 400 MHz
- PRF: 10 Hz
- Integrated rechargeable battery
- Remote triggering via fiber
- Operation: ≥ 10 Hz, > 10 minutes
- Weight: 16 lbs

System Dimensions (Inches)



Waveforms

