



The APELC PG-2MHz-01 is a battery-powered pulse generator for pulsed-current-injection testing per MIL-STD-1310.

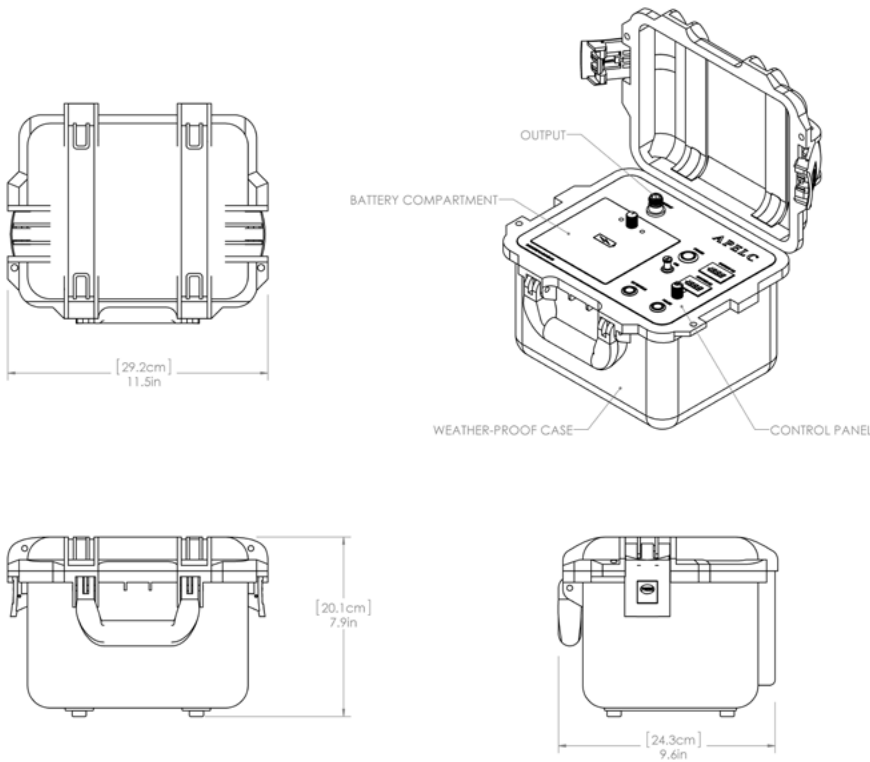
The pulse generator produces a 2 MHz damped-sinusoid waveform with a quality factor of ~10 when connected to the CPLR-10-2MHz coupler via a 12-foot coaxial cable.

The system utilizes a removable COTS-rechargeable battery and can deliver over 2,000 shots per battery and remain in standby for more than 10 hours. The unit displays charge voltage and battery voltage, and allows for continuous charge voltage adjustment. A key-switch for power and illuminated push-button for high-voltage enable are also included.



Specification	Value	Unit
Center Frequency	2	MHz
Peak Amplitude (onto calibration loop)	10	A
Waveform Type	Damped-Sinusoid	N/A
Quality Factor (Q)	10 ( $\pm 2$ )	N/A
Repetition Rate	Single-shot	N/A
Approximate Size	9.50 x 7.50 x 7.25	Inches
Approximate Weight	10	lbs





The unit is housed in a weatherized and extremely durable iM2075 Pelican™ case with a handle and attachments for a shoulder strap.

### Components

- Rechargeable battery and charging stand
- Shoulder strap
- 12-foot coaxial cable with N-Type connectors
- 1-year warranty
- Operator and Safety Manual
- Calibration loop

